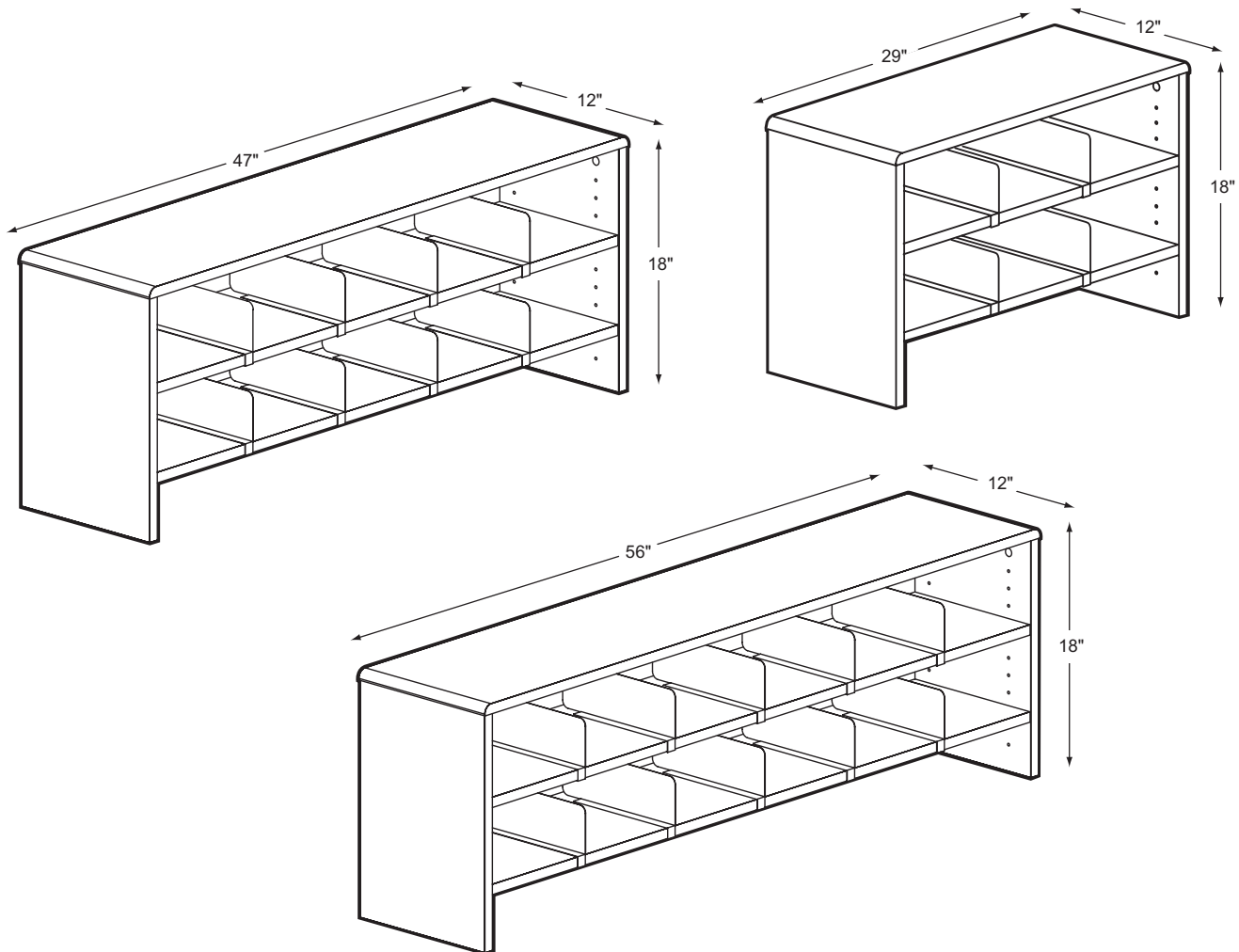


DTO-29-47-56

Desk Top Organizer Shelves



Product Specs

- 3/4" thermal fused laminate
- Cam and post construction
- Matched edge banding
- Shelves adjust on 1-1/4" increments
- 18ga. Moveable shelf dividers
- Finished back

1007